



# DVS 2024

## Progressive Safe System



AI



1080P  
FULL HD



EASY  
CALIBRATION

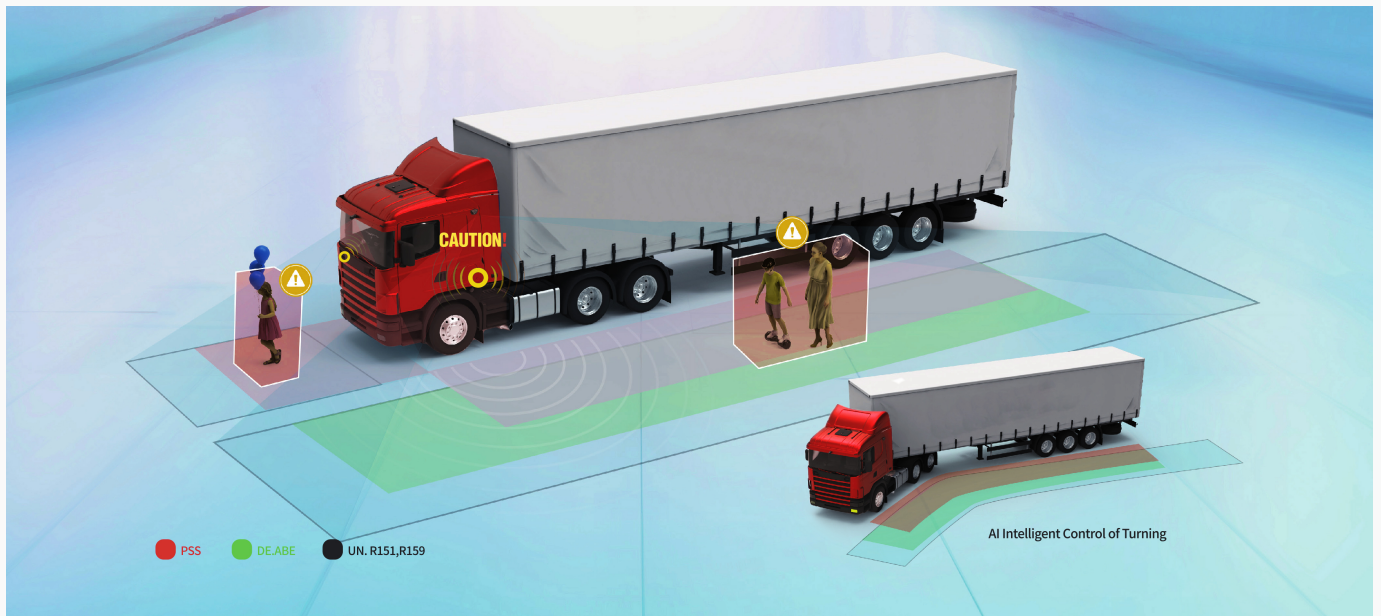


BLIND SPOT  
MONITORING



COMPLIES  
WITH PSS

## PRODUCT FEATURES



Specifically designed for both **rigid** and **articulated** vehicles.



**Self Panning** : Utilises cutting-edge AI technology to track the blind spot detection range which shifts in accordance with the movement of the vehicle body, eliminating the need for any steering signal.



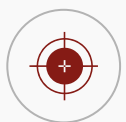
**Flexible Configuration** : > 9M detecting area can be customised as per your requirements.



**Reliable Performance** : Reliable performance in dim lighting conditions.



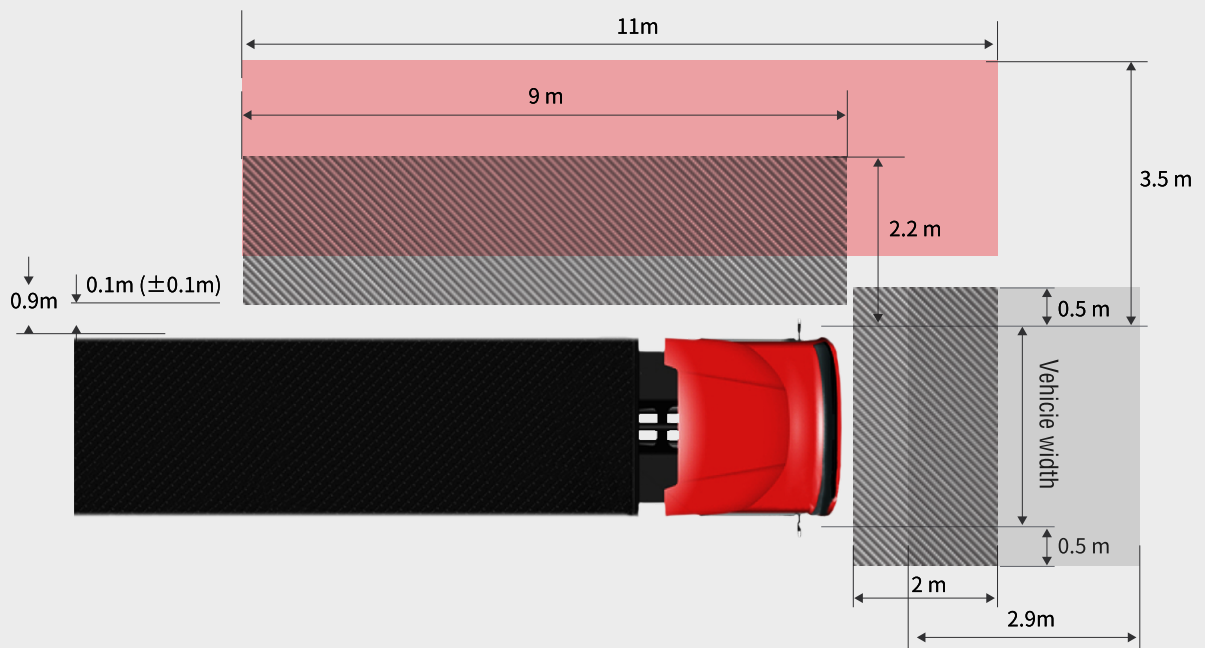
**Enhanced Functionality** : For enhanced functionality, simply **add a side radar** for upgrading from PSS (BSIS) to R151 regulation compliance.



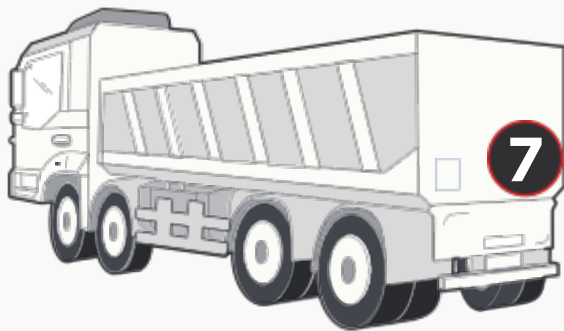
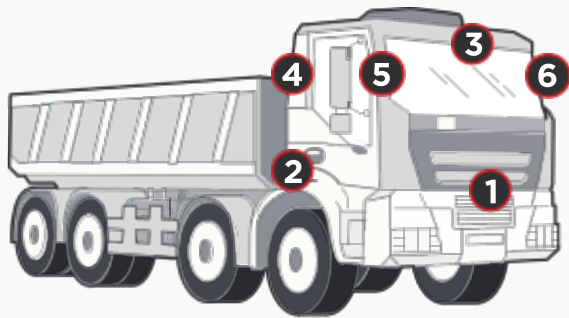
**Fast Installation** : Fast installation and easy calibration process via the vehicle monitor. Calibration tool required, without use of an app.



**Predictive AI** : The AI predicts if vulnerable road users are headed towards the blind spot, improving reaction time.



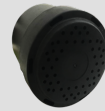
## PREMIUM KITS



1

### CONTROL BOX

AI controller, capable of accurately identifying external objects.



2

### ALARM

Voice alarm mounted on the vehicle's exterior side.



3

### MOIS CAMERA

Camera installed at the front of the vehicle.



4

### BSIS DUAL CAMERA

Camera installed on the side.



5

### WARNING LED

Voice alarm installed inside the vehicle.



6

### GPS

Provides precise positioning and speed.



7

### DVS-STICKER

Blind spot. Take care. Rear sticker. DVS compliant A3 size.



### OPTIONAL RADAR

Compliant with **UNECE R151 BSIS**

## MAIN FEATURE

The complete **DVS Progressive Safe System Solution** to help you achieve compliance. The solution offers the option to upgrade to comply with **UNECE R151 BSIS** (with an addition of the **Radar** component).

The System uses AI image recognition technology to provide driver blind spot information and warnings in various application environments. It provides immediate audio and visual alerts of possible collisions with dangerous objects or Vulnerable Road Users (VRUs). VRUs include pedestrians, cyclists, and motorcyclists, among others.

Performance testing according to TUV Rheinland R151 BSIS standard, in line with international laboratory reliability and safety specifications.

## AI CONTROL BOX



The **AI Control Box** supports dual 1080P camera input/output functionality.

It is independently developed and utilises **AI technology** to achieve object recognition and integrates millimeter-wave radar information to provide precise analysis and results. It meets the performance requirements of **UNECE R151 BSIS** and **UNECE R10** electromagnetic interference standards.



The **AEC-Q100 certified IC** complies with vehicle manufacturer specifications.



**Control Box IP69 water-proof** and **dustproof** grade, more suitable for commercial vehicles in different harsh environments.

## TECHNICAL DATA

<b>Rated Voltage</b>	12/24V	<b>Signal I/O</b>	Speed ` Reverse ` Turn_SA ` Left ` Right
<b>Operating Voltage</b>	9 ~ 32V	<b>Waterproof Level</b>	IP69K
<b>Camera Power</b>	12V≤	<b>Operating Temperature</b>	-30°C ~ +70°C
<b>Power Consumption</b>	18w (Max. 2 Camera)	<b>Storage Temperature</b>	-40°C ~ +85°C
<b>Input Image</b>	AHD 1080P (NTSC/PAL)	<b>Dimensions</b>	170(W)*119(H)*38.5(D) mm
<b>Output Image</b>	AHD 1080P (NTSC/PAL)	<b>Weight</b>	704g

## BSIS DUAL CAMERA



**BSIS Dual Camera Module** improves blind spot visibility to comply with **DVS PSS**.



**AEC-Q100 certified IC** meets vehicle manufacturers specifications.



The **dual-camera module** design includes a built-in heater.



**Detection and coverage** capabilities.



With an **IP69K rating**, it is particularly well-suited for commercial vehicles operating in various harsh environments.

## TECHNICAL DATA

<b>Image Type</b>	1/3" CMOS image sensor	<b>Power Supply</b>	DC 24V
<b>Resolution (Pixels)</b>	1920*1080	<b>Waterproof &amp; Dust Proof</b>	IP69K
<b>Color System</b>	PAL/ NTSC ( Auto )	<b>Operating Temperature</b>	- 40°C - 85°C
<b>FOV</b>	Based on BSIS (PSS)	<b>Storage Temperature</b>	- 40°C - 85°C
<b>Video Output Format</b>	AHD 1080P 25/30 FPS	<b>Dimensions</b>	155(W)*98(H)*49(D) mm
<b>Minimum Illumination</b>	0.1 lux		

## WARNING LED



The **Warning LED** provides VRU Vehicle object recognition and alarm.



Provides **visual assistance** for drivers in **blind areas**.



Excellent **anti-glare** and **anti-reflective** design.

## TECHNICAL DATA

Memory Card	TF card 1 slot	Power Consumption	≤ 4W
CAN	1	Operating Temperature	-30°C ~ 70°C
Rated Voltage	DC 12V / 24V	Storage Temperature	-40°C ~ 85°C
Operating Voltage	DC 9V ~ 36V		

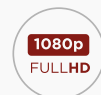
## MOIS CAMERA



The **MOIS Camera** features **Full HD** high definition wide angle technology. It leads the industry with the smallest size and meets vehicle installation standards. Suitable for all N and M category commercial vehicles.



**AEC-Q100** certified IC meets automotive standards.



**High Resolution** 1920X1080.



Excellent **HDR functionality**, featuring dirt detection and coverage capabilities.

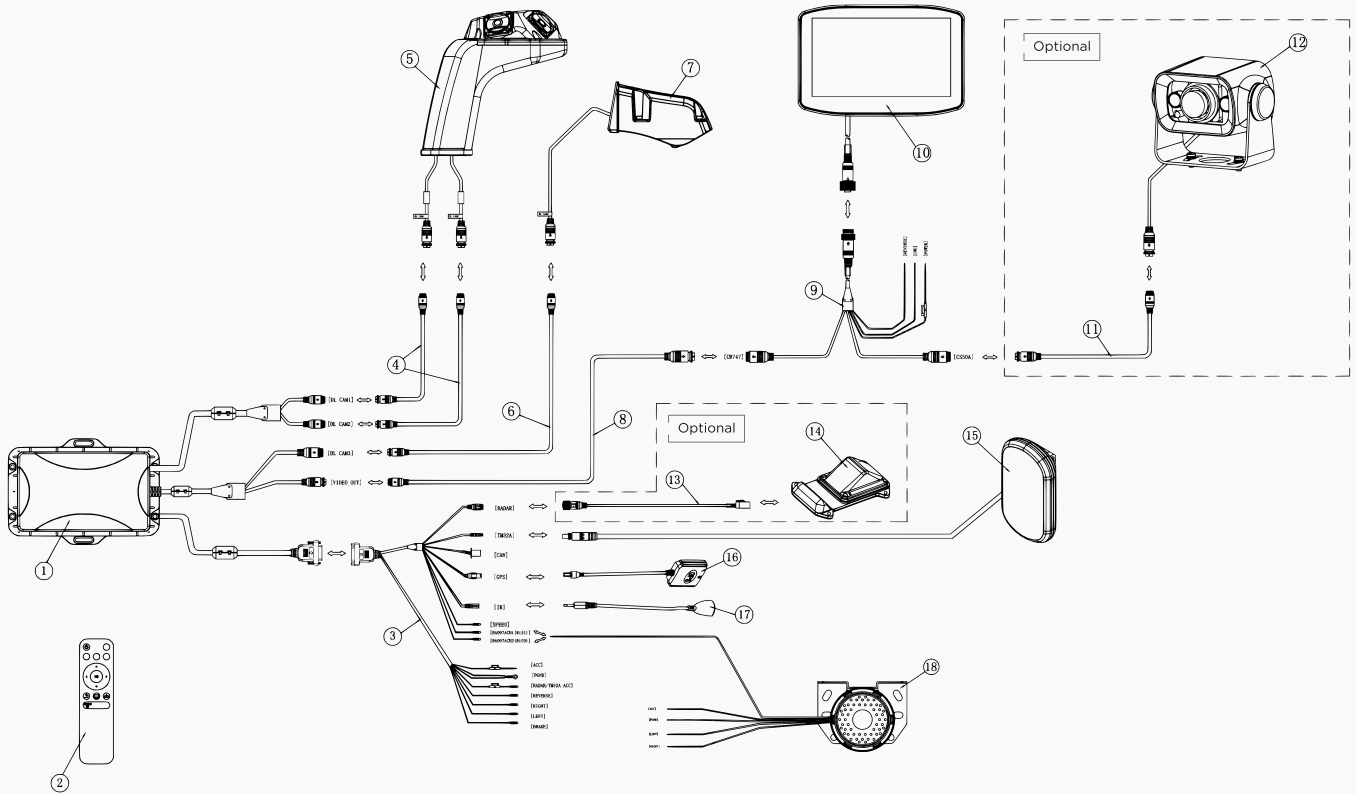


**IP68K rating**, making it more suitable for commercial vehicles in various harsh environments.

## TECHNICAL DATA

Image Sensor	1/2.8" CMOS image sensor	Minimum Illumination	0.1 Lux
Resolution	1920×1080P	Waterproof & Dust Resistance	IP68
Color System	PAL / NTSC	Rated Voltage	DC 24V
FOV	145°(H)/ 80°(V)	Operating Voltage	DC 8V ~ 16V
Video Output	AHD 1080p 25 / 30 FPS	Operating Temperature	-40°C ~ 85°C

# PREMIUM DVS WIRING DIAGRAM



ITEM	PRODUCT NAME	QUANTITY
1	AI Controller, with 0.5m lead wire	1
2	HD panoramic system remote control	1
3	Power cord - 3m	1
4	6P aviation male and female extension cable 5m	2
5	Camera, with 0.5m lead wire	1
6	6P aviation male and female extension cable 3m	1
7	Camera, with 0.5m lead wire	1
8	4P aviation male and female extension cable 5m	1
9	Display screen Y line 2.8m	1
10	Display, with 0.25m lead wire	1
11	4P aviation male and female extension cable 15m	1
12	AI Camera, with 1m lead wire	1
13	Radar cable - 7m	1
14	Radar	1
15	Warning LED, with 1m lead wire	1
16	GPS receiver with 2.5m lead wire	1
17	External infrared receiver with 1m lead wire	1
18	Warning alarm, with 5m lead wire	1